

# Edwards® AdaptaBeacon® 104FINH Series Halogen Flashing Lights

**PLC Compatible\***



**Cat. No. 104FINH**

## Features

- PLC compatible
- Long life halogen lamp
- NEMA 4X Enclosure
- Panel or conduit mounted
- 18 inch wire leads

## Description

The Edwards 104FIN Series AdaptaBeacon flashing halogen lights are designed to provide a bright visual indication utilizing special optics within a shatter resistant polycarbonate lens mounted on a polycarbonate/ABS blend base.

The 9 watt halogen bulb is rated by the manufacturer at 52 lumens. The 12 watt halogen bulb is rated by the manufacturer at 70 lumens.

## Agency Approvals

- UL Listed
- NEMA 4X enclosure
- CSA Certified
- CE Marked

## Specifications

- Lenses available in five colors: amber, blue, clear, green and red

## Installation

Suitable for indoor or outdoor installation. When mounted outdoors lens should be mounted facing up. May be panel or conduit mounted either horizontally or vertically. However, vertical installation ensures maximum beam width projection.

Double (internal/external) threaded mounting nipple suitable for direct panel mounting or 1/2" (13 mm) conduit mounting.

## Applications

Edwards flashing lights are particularly effective in high noise areas where ear protection must be worn and audible signals may not be heard or understood. They can advise personnel in manufacturing and process areas when an operation is starting

or stopping.

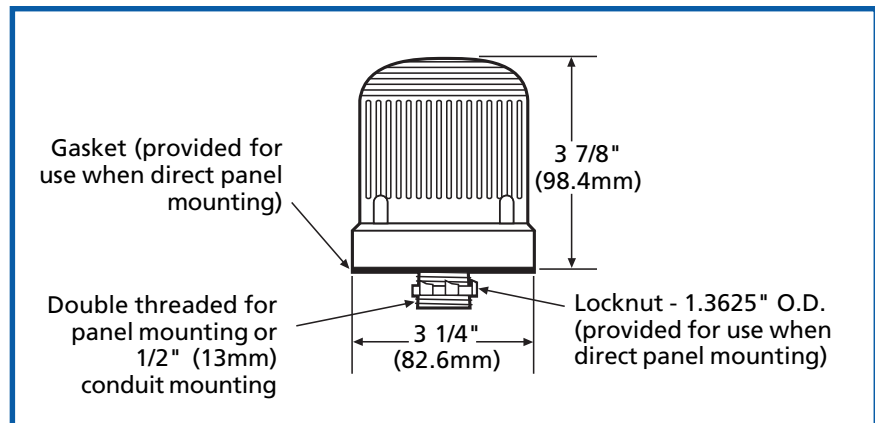
Often used to signal malfunctions in equipment, such as assembly line jams. Can warn personnel that they are entering a restricted area or an area of high danger. Ideal for use where many multiple smaller flashing lights are specified.

### \*PLC COMPATIBILITY

This device may be operated by PLCs that match the input load requirements of this signal. Be sure to match the input load characteristics of the signal with the output characteristics of the PLC before connecting.

### Signal Input Load Characteristics

Cat. No.	Operating voltage Volts/60 Hz	Max. off state leakage current mA	Cont. on current mA	Surge (inrush/duration) Amps/milliseconds
104FINH( )-G1	24V DC	25	320	1.2/100
104FINH( )-N5	120V AC	25	250	1.15/8



## Ordering and Technical Data

Cat. No.	Lens Color	Replacement Lens Cat. No.	Lamp Ratings	Electrical Ratings	Replacement Lamp Cat. No.
104FINHA-G1	Amber	104-LA	9 Watts	24V DC	50LMP-9WH-D or industry trade no. 1692* (incandescent)
104FINHB-G1	Blue	104-LB	52 Lumens**	0.77 Amps	
104FINHC-G1	Clear	104-LC	15,000 hr.***		
104FINHG-G1	Green	104-LG			
104FINHR-G1	Red	104-LR			
104FINHA-G5	Amber	104-LA	9 Watts	24V 50/60 Hz	50LMP-9WH-D or industry trade no. 1692* (incandescent)
104FINHB-G5	Blue	104-LB	52 Lumens**	0.77 Amps	
104FINHC-G5	Clear	104-LC	15,000 hr.***		
104FINHG-G5	Green	104-LG			
104FINHR-G5	Red	104-LR			
104FINHA-N5	Amber	104-LA	12 Watts	120V 50/60 Hz	50LMP-12WH-D or industry trade no. 15T7DC* (incandescent)
104FINHB-N5	Blue	104-LB	70 Lumens**	0.25 Amps	
104FINHC-N5	Clear	104-LC	25,000 hr.***		
104FINHG-N5	Green	104-LG			
104FINHR-N5	Red	104-LR			

\*A non-halogen lamp as listed may be used in place of the halogen lamp.

\*\*Bulb manufacturer's Lumen rating.

\*\*\*Projected lamp life based on manufacturer's calculated lamp life at 65 fpm and 50% duty cycle.

Visual Signals

Electronic Signals

Bells & Buzzers

Horns & Sirens

Message Centers & Annunciators

Outdoor Warning Signals

Electric Chimes

Push Buttons Contactors Door Devices

Transformers

Fire Alarm Equipment

Clocks

ADA/Hospital Signaling Devices

Telephone Signals & Accessories

Appendix