

Edwards® AdaptaBeacon® 104SLED Series LED Steady-On Lights

PLC Compatible*

Features

- PLC compatible
- Multiple LED cluster reflected from double parabolic inner reflector
- Available in 24V DC and 120V AC 50/60 Hz
- 100,000 hour light source life
- NEMA 4X Enclosure
- 18 inch wire leads

Description

The Edwards 104SLED Series AdaptaBeacon steady-on lights are designed to meet continuous visual signaling requirements. The unit provides bright visual indication utilizing special optics within a shatter resistant polycarbonate lens mounted on a polycarbonate/ABS blend base.

The AdaptaBeacon LED clusters are internally oriented to allow viewing when the unit is mounted either horizontally or vertically.

Agency Approvals

- UL Listed
- NEMA 4X enclosure
- CSA Certified
- CE Marked

Specifications

- Immune to shock and vibration - no moving parts
- Lenses available in four colors: amber, blue, green and red

Installation

Suitable for indoor or outdoor installation. When mounted outdoors lens should be mounted facing up. May be panel or conduit mounted either horizontally or vertically. However, vertical installation ensures maximum beam width projection.

Double (internal/external) threaded mounting nipple suitable for direct panel mounting or 1/2" (13mm) conduit mounting.

Applications

Edwards long life steady-on LED beacons are ideally suited for applications where a continuous steady-on visual signal is required and where ambient noise makes audible signals difficult to hear. The 104SLED is used where multiple, smaller, stand-alone visual signals are required. The



Cat. No. 104SLED

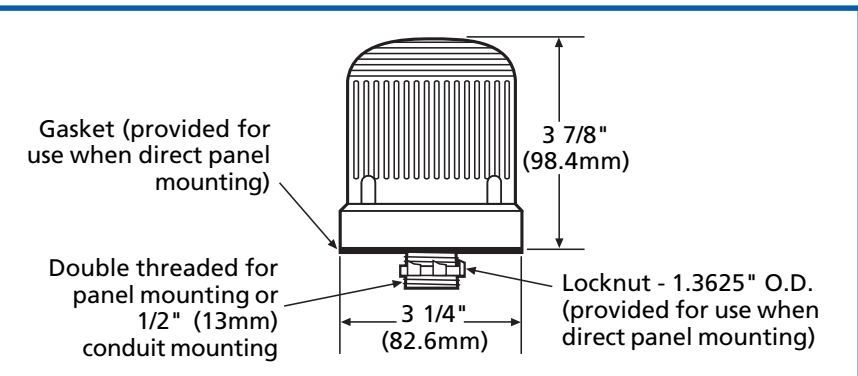
gasketed design assures installation acceptability in most industrial and commercial locations.

*PLC COMPATIBILITY

This device may be operated by PLCs that match the input load requirements of this signal. Be sure to match the input load characteristics of the signal with the output characteristics of the PLC before connecting.

Signal Input Load Characteristics

Cat. No.	Operating voltage Volts/60 Hz	Max. off state leakage current mA	Cont. on current mA	Surge (inrush/duration) Amps/milliseconds
104SLED(-)G1	24V DC	4	65	.07/1
104SLED(-)N5	120V AC	5	25	.09/8



Ordering and Technical Data

Cat. No.	Lens Color	Replacement Lens Cat. No.	Electrical Rating	Lamp Life	Lumen Output*
104SLEDA-G1	Amber	104-LA	24V DC	100,000 hr.	38 lumens
104SLEDG-G1	Green	104-LG	0.065A		102 lumens
104SLEDB-G1	Blue	104-LB			35 lumens
104SLEDR-G1	Red	104-LR			28 lumens
104SLEDA-N5	Amber	104-LA	120V 50/60 Hz	100,000 hr.	38 lumens
104SLEDG-N5	Green	104-LG	0.025A		102 lumens
104SLEDB-N5	Blue	104-LB			35 lumens
104SLEDR-N5	Red	104-LR			28 lumens

*Manufacturer's lumen rating is per LED.