



AudioMaster® Public Address Speaker - 30 watts

Models AM30

PUBLIC ADDRESS FOR INDUSTRIAL ENVIRONMENTS

- Eight ohm
- 30 watts
- Constant directivity horn design
- Omni-directional swivel mount
- CE Approved

The Federal Signal AM30 is an 8 ohm constant directivity, re-entrant speaker that is ideal for most public address or paging applications. The constant directivity horn design provides excellent sound coverage throughout the typical frequency range of speech. The AM30 is molded from impact-resistant, beige acrylic-styrene-acrylonitrile (ASA). The unique omni-directional swivel mount of this speaker allows the unit to be pointed anywhere within a 360° half-sphere of area.

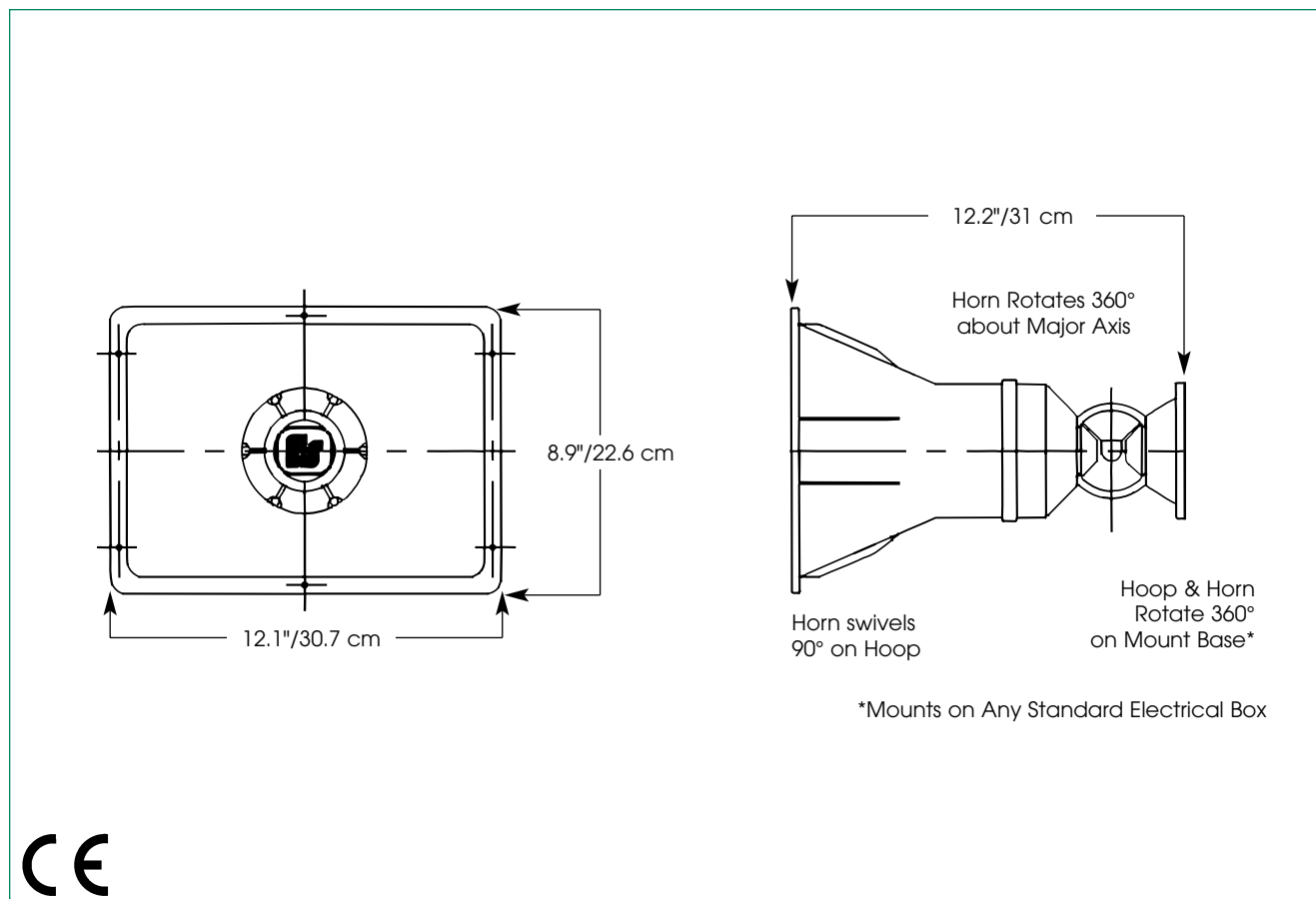
The driver of the AM30 employs a rugged phenolic diaphragm, a 1.5-inch diameter voice coil, and "rim centered" ferrite magnet structure for long life and durability under extreme operating conditions. A 12-inch connecting cable, phased and color coded, is provided for connecting the AM30.

The AM30 can be used with the AudioMaster® HP series amplifiers and the AudioRouter™ to complete an industrial grade public address system. The AM 30 is also compatible with the Federal Signal SelectFone® intercom system.

Model	Power Rating	Frequency Response	Impedance	Beamwidth	Sound Pressure Level @ 1m
AM30	30 watts	400Hz-6500Hz	8ohm	60° x 40°	107dB



PUBLIC ADDRESS SPEAKER (AM30)



SPECIFICATIONS

Net Weight:	3.0 lbs.	1.4 kg
Shipping Weight:	3.8 lbs.	1.7 kg
Height:	8.9"	22.6 cm
Width:	12.1"	30.7 cm
Depth:	12.2"	31 cm

RATINGS

- NEMA Type 3R
- Constructed to IP55
- CE Approved

HOW TO ORDER

- Specify model number