

HAZARDOUS LOCATION AMPLIFIED SPEAKER



Model ASHH

The Federal Signal Model ASHH Hazardous Location Amplified Speaker is designed to produce crisp, clear tones in supervised alarm notification systems. The ASHH is compatible with fire alarm, voice evacuation, suppression supervised control panels and power boosters.

This amplified speaker can broadcast tones generated by the programmable 32 tone UTM card installed into the speaker or by a central tone source originating from a 25 or 70Vrms voice evacuation or paging system. When live public address or voice messages are required, plug-in Connector Cards (AM25CK or AM70CK) interface with the VRMS of the EVAC panel.

The speaker cone and projector are constructed of rugged spun aluminum. The solid-state amplifier circuit is protected in a die-cast aluminum housing. Dust- and moisture-proof gaskets provide protection from the elements. All external surfaces are sealed with red powder coat paint. The ASHH is easily installed with external mounting tabs.

The ASHH is UL Listed for Class I, Division 2, Groups A, B, C and D; Class II, Division 2, Groups F & G; and Class III.

The rugged construction and high output of the Model ASHH make it ideal for use in harsh environments with high ambient noise levels. The ASHH features an internal gain control for adjustment to suite the area.

PLANT-WIDE WARNING

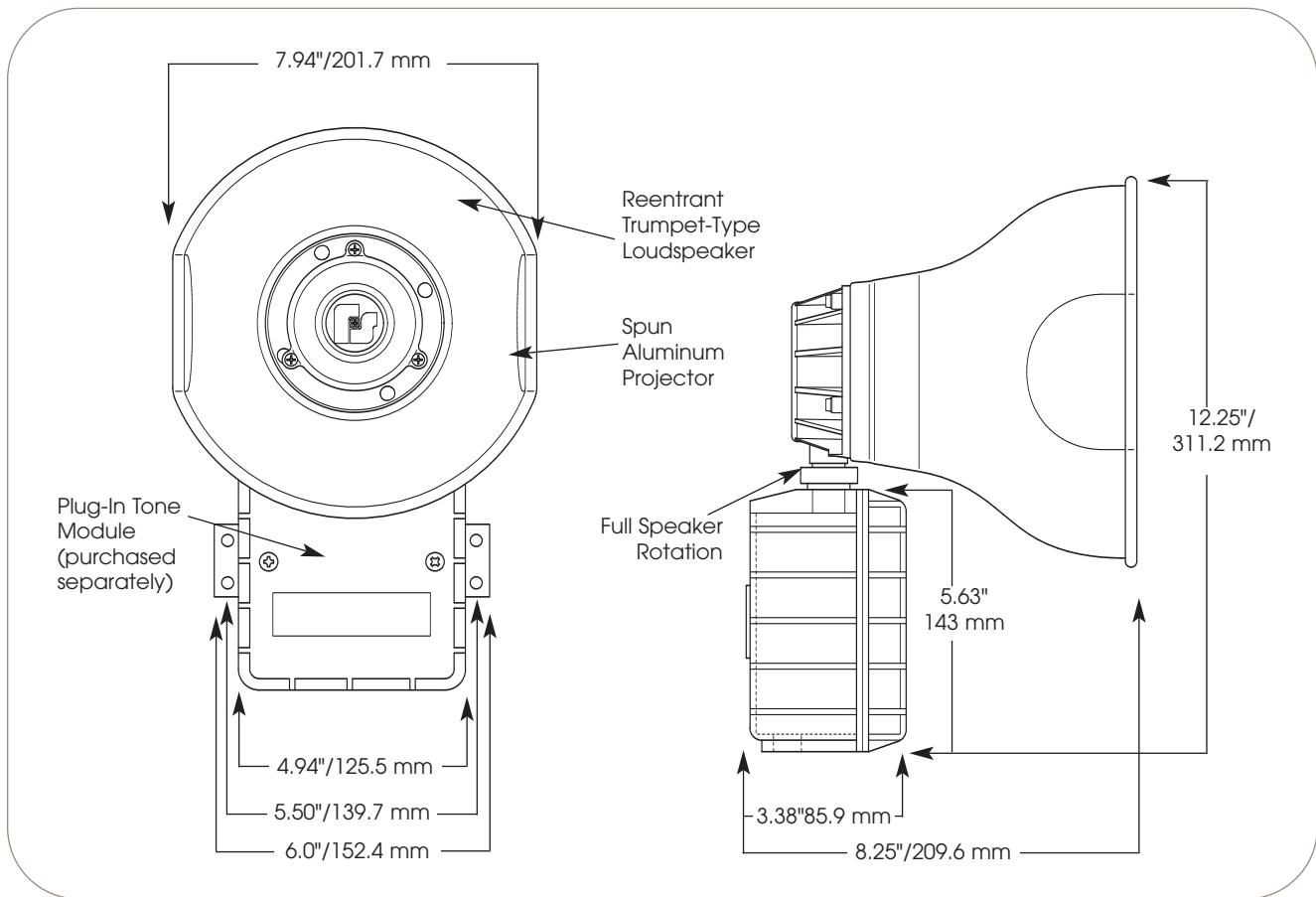
- Reliable, solid-state circuitry
- 24VDC; filtered
- Built-in gain control
- UL Listed, cUL Listed
UL1480 and CSFM Approved
- Type 4X enclosure
- Digital Signal Amplification
- External mounting tabs

Model	Voltage	Operating Current	Sys. Standby Current	UL dB(A) Sound Pressure	dB(A) Sound Power
ASHH	24VDC	0.7 amps	0.15 amps	95 UTM - 101 AUDIO	112



FEDERAL SIGNAL
Electrical Products

AUDIBLE SIGNALING DEVICE (ASHH)



SPECIFICATIONS

Operating Temperature:	-65°F to 150F	-54°C to 66°C
Net Weight:	5.9 lbs.	2.65 kg
Shipping Weight:	6.5 lbs.	2.95 kg
Height:	12.25"	311 mm
Width:	7.94"	201.7 mm
Depth:	8.25"	210 mm

HOW TO ORDER

- Specify model number
- Specify Module for tone only applications:
UTM 32-Tone Universal Tone Module
- Specify Connector Kit for use in distributed audio applications:
AM25CK, 25Vrms Connector Kit
AM70CK, 70Vrms Connector Kit



P.O. Box 10330 - Palm Desert, CA 9255-0330

Tel 760-341-3609 - 866-548-2331 Fax 770-346-0763 - 888-436-4277

Web - www.thesignalsource.com E Mail - sales@thesignalsource.com